

Miniature probes

The miniature probe is used for humidity and temperature measurement in confined spaces. It also calculates the dew/frost point and can be installed discretely. The 4 mm probe has a spike tip for insertion in walls.

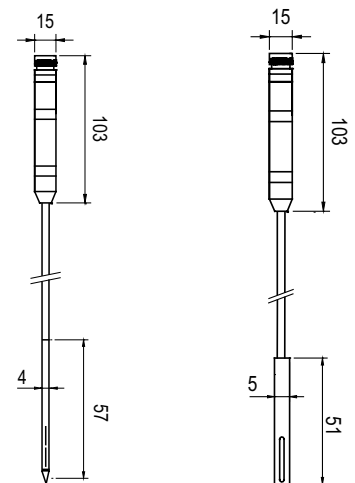
APPLICATIONS

Museums, glass cabinets, building material tests, automotive and aviation industries, testing laboratories, paper, textile and pharmaceutical industries.

FEATURES

- Accuracy: $\pm 1.5\%rh$, $\pm 0.3\text{ K}$, at $10...30\text{ }^\circ\text{C}$
- Range of application: $-40...85\text{ }^\circ\text{C}/0...100\%rh$
- Digital interface (UART) and scalable analog outputs, $0...1\text{ V}$
- Standard output scaling: $0...1\text{ V} = -40...60\text{ }^\circ\text{C}/0...100\%rh$
- Adjusted at $23\text{ }^\circ\text{C}$ and 10, 35, 80 %rh

| Order code | HC2-C04 | HC2-C05 |
|------------------|---|--|
| Probe type | Cable probe, $\varnothing 4\text{ mm}$ | Cable probe, $\varnothing 5\text{ mm}$ |
| Accuracy | $\pm 1.5\%rh$, $\pm 0.3\text{ K}$, at $10...30\text{ }^\circ\text{C}$ | |
| Power supply | 3.3...5 VDC, adjusted at 3.3 VDC, current: $\sim 4.5\text{ mA}$ | |
| Sensor type | ROTRONIC HYGROMER [®] IN-1, PT100 1/3 Class B | |
| Response time | <15 s, without filter | |
| Housing material | Stainless steel, DIN 1.4305 | Brass, nickel-plated |
| Weight | 85 g | 85 g |
| Cable length | 2 m | |



HC2-C04

HC2-C05

Compatible

- Handheld instruments HP32
- Transmitters HF5, PF4, PF5

Delivery package

- Factory adjustment certificate

Recommended accessories

- Extension cable 2 m, black E2-02A
- Teflon filter for HC2-C05 SP-T05
- Calibration device ER-05
- Humidity standard for calibration 10 %rh EA10-SCS
- Humidity standard for calibration 35 %rh EA35-SCS
- Humidity standard for calibration 80 %rh EA80-SCS